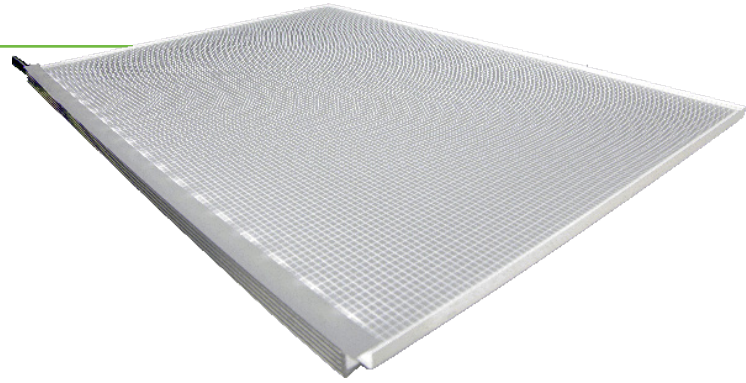


Bright Green LED Light Panel

Bright Green LED Light Panel is a slim, efficient and easy way to illuminate graphics, signs and architectural features.

LED light panels are custom engraved acrylic sheets, illuminated by LEDs from the edge. This light guide design ensures bright, even illumination across the whole panel.



Specification

Maximum illuminated dimensions	3000 x 1500mm
Panel thickness	5mm as standard, other options available
Operating voltage	12 or 24V DC
Power per linear metre	20W for white, 14.4W for RGB and Dynamic White
Luminous Efficacy (White LED)	125lm/W
Colour temperature	2700K, 3000K, 4000K, 5300K, 6000K, 6500K, 9500K RGB and Dynamic White
CRI	CRI > 80 (>90 available on request)
LED chip manufacturer	Samsung
Power cable length	1 metre or to requested specification
Principal materials	Aluminium, acrylic, PET
Lifetime	50,000 hours + to L70
Warranty	3 years
Dimmable	0-10V, DALI, DMX
Operating temperature	-10° to 45°C
Storage temperature	-20° to 60°C
Wire	20 AWG stranded cable
Certification	LM80

[To find out more about the PCB used in our LED Light Panel click here](#)

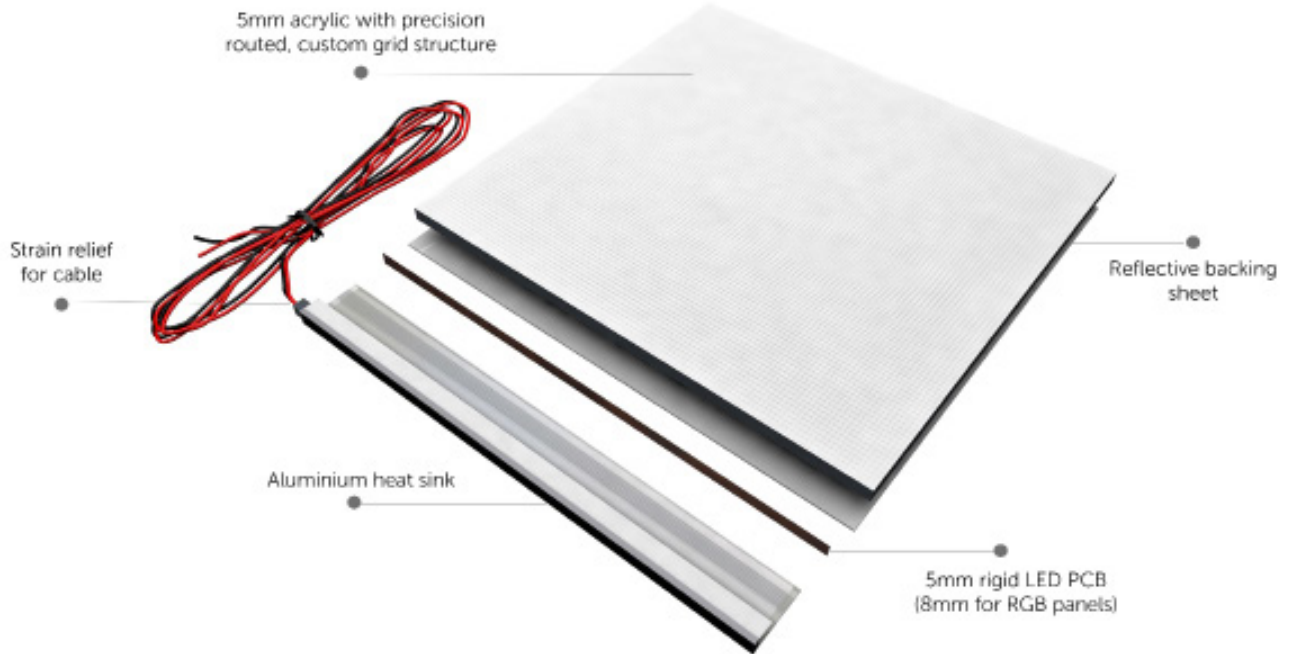
Tel +44 (0) 1932 355221 Email info@brightgreentechnology.com
Find out more at www.brightgreentechnology.com
or visit www.ledlightpanel.co.uk

© 2016 Bright Green Technology Limited

bright green.
technology 

Bright Green LED Light Panel

Exploded view



All LED Light Panels are custom manufactured with an optimised grid pattern for the panel size. This maximises performance and light distribution.

Connectors

LED Light Panel is supplied with a 1 metre cable tail or a connector if required. Common connectors include:

2.1 Female DC, Mini Mate-N-Lok or JST-XHP-02.

Other connectors are available on request.

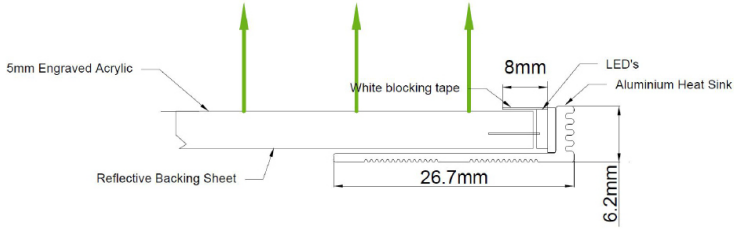


Bright Green LED Light Panel

Dimensions

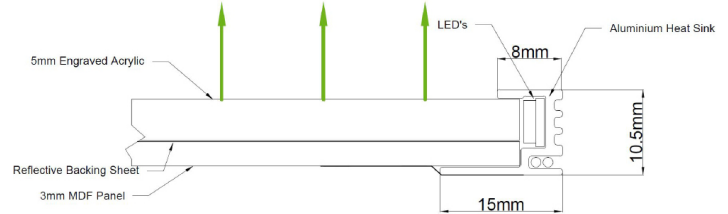
LED Light Panel - Frame A

Weight per sq mtr: 7.2kg



LED Light Panel - Frame B

Weight per sq mtr: 10.8kg



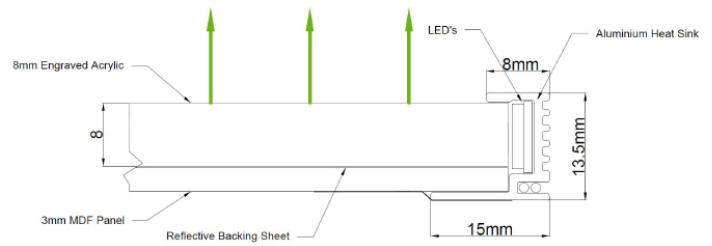
LED Light Panel - Frame C - Double Sided

Weight per sq mtr: 7.2kg



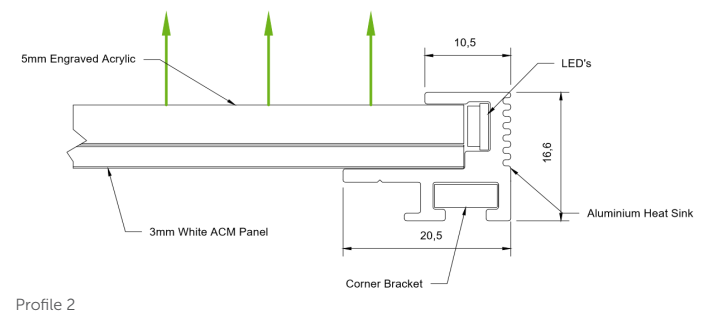
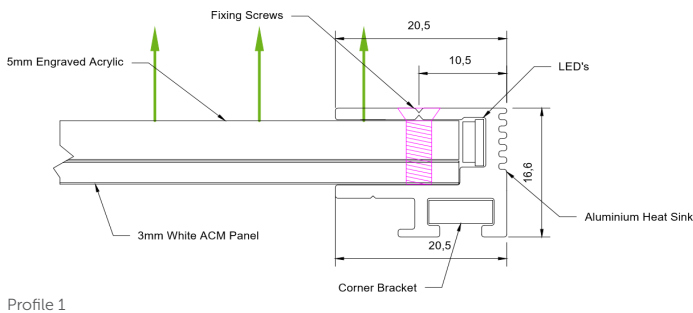
LED Light Panel - RGB

Weight per sq mtr: 14.4kg



LED Light Panel - Frame D

Weight per sq mtr: 15.6kg



Tel +44 (0) 1932 355221 Email info@brightgreentechnology.com

Find out more at www.brightgreentechnology.com

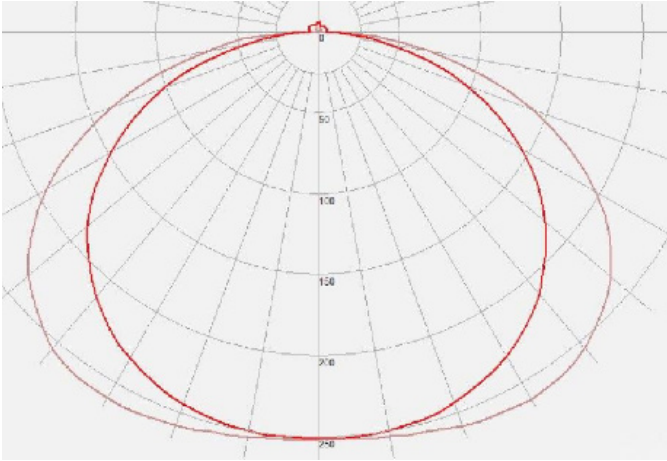
or visit www.ledlightpanel.co.uk

© 2017 Bright Green Technology Limited

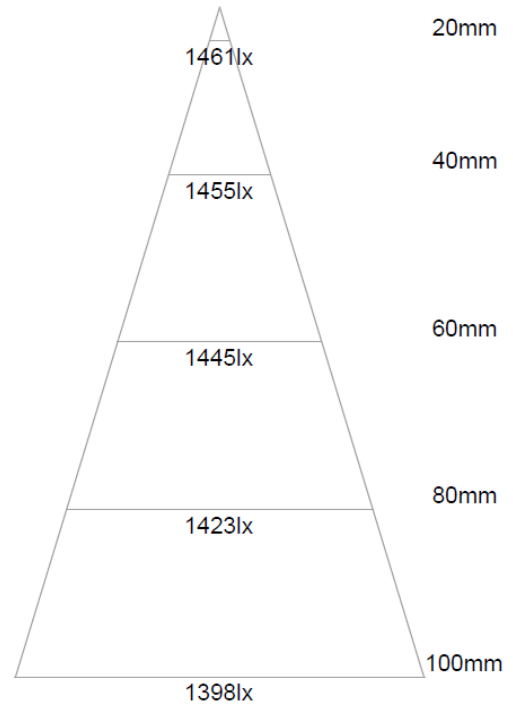
Bright Green LED Light Panel

Photometric Data - Example using a 600 x 600mm panel

Light Distribution Diagram



Lux Test Diagram



Connection

Installation should be carried out by suitably qualified personnel.

Please see the Bright Green LED Light Panel install guide for electrical connection and handling guidelines.